

iPrism Web Security ERS

© 2001 – 2008 St. Bernard Software Inc. All rights reserved. The St. Bernard Software logo, iPrism, iGuard and ERS are trademarks of St. Bernard Software Inc. All other trademarks and registered trademarks are hereby acknowledged.

Other product and company names mentioned herein may be the trademarks of their respective owners.

The iPrism software and its documentation are copyrighted materials. Law prohibits making unauthorized copies. No part of this software or documentation may be reproduced, transmitted, transcribed, stored in a retrieval system, or translated into another language without prior permission of St. Bernard Software, Inc.

ERS001.3.0.0001

Contents

ERS Hardware	4
Front and Back Covers.....	4
LEDs and Lights	5
Power Supplies	6
Installing the ERS M6200 Appliance	6
Contacting St. Bernard Software Technical Support	7

ERS Hardware

Front and Back Covers



Figure 1: ERS M6200 with cover installed

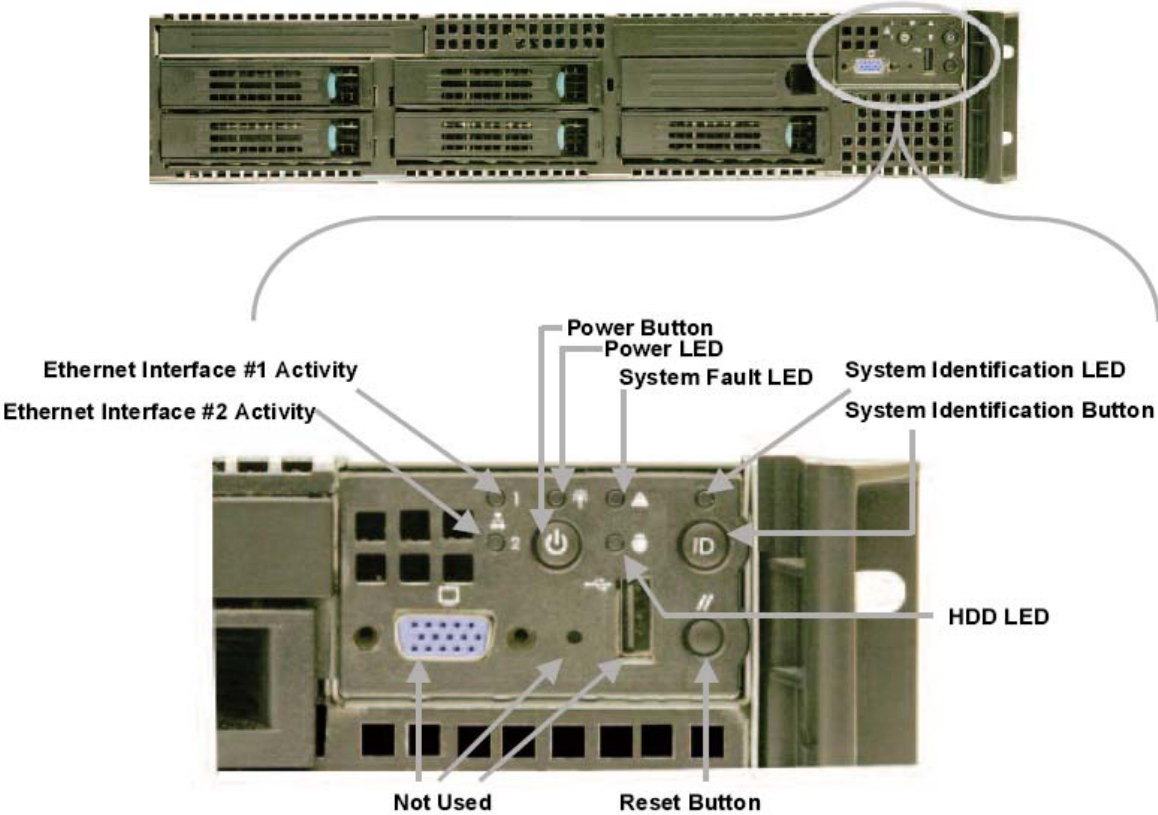


Figure 2: ERS M6200 Front Panel (with cover removed)

LEDs and Lights

- **Ethernet Interface #1/#2 Activity Light:** Blinking green indicates that data is passing through the management interface. Steady green indicates the management interface is connected.
- **On/Off Switch:** When power is not applied to the system, press this switch to power the ERS appliance.
Important: When power is ON, always use the **Exit > Shutdown** option from within the ERS System Configuration tool to power down your ERS appliance. This cleanly terminates the current ERS services and network connections and prepares ERS to be powered down using this button.
- **Power LED:** This LED indicator illuminates when power is applied to the system.
- **HDD LED:** Indicates disk activity.
- **System Fault LED:** *Solid green* indicates normal operation. *Blinking green* indicates that the system is working, but in degraded mode. This can occur when the system becomes overheated, so check for adequate ventilation. *Solid amber* and *blinking amber* indicate system fault. Contact St. Bernard Technical Support if this occurs.
- **System Identification LED, System Identification Button:** Pressing the system identification button causes a blue LED to light on both the front and the back of the ERS appliance. This allows you to easily identify a single ERS appliance amongst multiple systems.
- **Reset Button:** Resets the system. It is recommended that you reset the system using the **Exit > Reboot** option from within the ERS System Configuration tool. Using the Reset button may cause data loss.

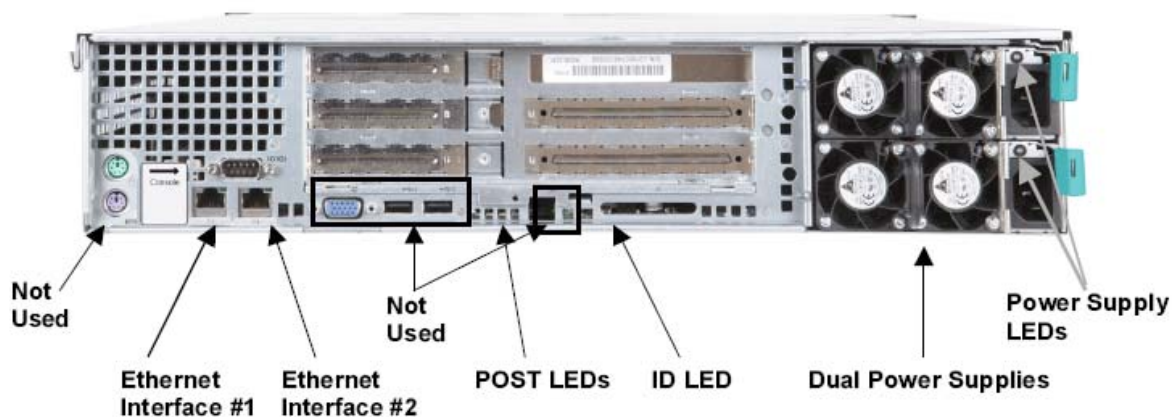


Figure 3: ERS M6200 Rear Panel

- **Ethernet Interface #1:** This RJ45 connector provides auto-sensing Gigabit Ethernet connectivity to your local network.
- **Ethernet Interface #2:** This RJ45 connector provides auto-sensing Gigabit Ethernet connectivity to your local network. Not normally used.
- **Power Supply LED:** Indicates that the individual power supply is turned on and operational. Only one power supply is needed to run the ERS appliance, but for reliability, we suggest connecting both. Each power supply should be connected to a separate circuit for maximum reliability.
- **Power Connectors:** This connects power to ERS appliance (115 –230 VAC auto-sensing).
- **Console Port:** This is a RS232 DB9 serial connector, which may be used with the console cable to connect to another computer in order to perform troubleshooting or low level management on the system. This port should only be used under the direction of the St. Bernard Technical Support staff.
- **System Identification LED:** This is a duplicate of the System Identification LED on the front of the unit.
- **POST LEDs:** These LEDs are used during the *Power On Self Test* (POST) to indicate status. If you are unable to boot your ERS appliance, record the pattern of these lights and contact St. Bernard Technical Support.

Power Supplies

Each one of the dual power supplies on the ERS appliance is hot-swappable. However, before you attempt to replace a power supply on your system, please contact St. Bernard Technical Support for assistance.

Installing the ERS M6200 Appliance

1. If you are installing the ERS appliance in a rack, attach the brackets from the enclosed rack mounting kit to the ERS appliance, and mount it in a standard rack.
2. If you are installing the ERS appliance on a shelf or desktop, place it on the shelf and make sure that all of the ventilation holes on the side and back of the unit are clear.
3. Connect the power cables.¹ Do not power on the system at this time.
4. Connect a network cable from the Ethernet Interface #1 of the ERS appliance to your local network.
5. Leave the Ethernet Interface #2 unconnected. If your network environment requires the ERS appliance to reside on two subnets at the same time, please contact St. Bernard Technical Support for assistance.
6. Follow the instructions available at [insert new ERS URL here] for information on how to complete the installation process and configure your ERS appliance.

¹ It is possible to operate the ERS appliance with only one power supply connected. For maximum reliability, both power supplies should be connected.

Contacting St. Bernard Software Technical Support

Phone and email support:

Weekdays, 12:00 Midnight – 4:00 p.m. Pacific Time (8:00 a.m. to 12:00 Midnight GMT)

To contact Technical Support online, visit

http://www.stbernard.com/products/support/iprism/support_iprism-6-0.asp and fill out the Support Request Form.

iPrism Phone Numbers:

Tel: 1-858-676-5050

Fax: 1-858-676-5055

Chat support:

Weekdays, 7:00 a.m. – 4:00 p.m. Pacific Time (3:00 p.m. to 12:00 Midnight GMT)

UK Customers:

For your convenience and savings, UK customers may dial a local number and be directly connected with a St. Bernard Technical Support Representative in the United States.

Tel: +44-0-1276-401642